

Grandstream Networks, Inc.

**GHP61x(W)/GHP62x(W) – User Guide**



The GHP series of hotel phones feature the GHP610(W)/GHP620(W) and the GHP611(W)/GHP621(W), easy-to-use IP phones for any hotel room that can be programmed and customized based on the needs of the hotel and its guests. These devices feature are equipped with integrated dual-band Wi-Fi (GHP6XX/W).

The features of the GHP series include an HD speaker, 2 SIP accounts/lines, 6 programmable keys (3 programmable keys for GHP61X), 10-speed dial keys, 3-way voice conferencing, full band Opus voice codec, an advanced jitter-resilience algorithm that tolerates up to 30% packet loss without impacting voice quality.

The GHP series is supported by the Grandstream Device Management System (GDMS), which provides a centralized interface to configure, provision, manage and monitor the deployment of Grandstream endpoints.

The GHP series IP phones can be installed on a desktop or wall-mounted and can be powered by PoE (GHP610/GHP611/GHP620/GHP621), power adapter (GHP610W/GHP611W/GHP620W/GHP621W) and USB Type-C charger(GHP620/GHP621/GHP620W/GHP621W).

Its elegant and compact design makes it perfect for not only hotels but also hospitals, apartments, dormitories, and much more.

## PRODUCT OVERVIEW

### Feature Highlights

 <b>GHP61X/W</b>	<ul style="list-style-type: none"> <li>○ TrimStyle phone, small footprint and fashion design.</li> <li>○ 2 SIP lines with wideband Opus codec.</li> <li>○ 6 programmable keys (3 programmable keys for GHP61X) and 10-speed dial keys to customize different services.</li> <li>○ One 100Mbps network port with PoE (PoE available on GHP610/GHP611/GHP620/GHP621).</li> <li>○ Integrated dual-band 2.4Ghz &amp; 5Ghz 802.11 a/b/g/n/ac Wi-Fi.</li> <li>○ Desk/Wall mounted.</li> <li>○ Tolerate up to 30% packet loss without impacting voice quality.</li> <li>○ Supports provision and management via GDMS.</li> <li>○ Customizable faceplate and speed dial label (Speed Dial label for GHP61X only).</li> <li>○ New voice message and mute LED indicator.</li> <li>○ HAC/VCH (ADA) compliant handset volume boost.</li> <li>○ Magnetic Hook Switch feature.</li> </ul>
 <b>GHP62X/W</b>	

### Technical Specification

#### ○ GHP61X

Protocols/Standards	SIP: SIP RFC3261, TCP/IP/UDP, RTP/RTCP, RTCP-XR, Simple, TLS, SRTP.
Network Interface	One Auto-Negotiation 10/100Mbps ethernet port, integrated PoE (Only GHP61X)
Wi-Fi	GHP610W/GHP611W integrated dual-band 2.4Ghz & 5Ghz 802.11 a/b/g/n/ac.

<b>Keypad</b>	<p>23 keys, including:</p> <ul style="list-style-type: none"> <li>- 3 Programmable keys.</li> <li>- 12 standard phone digit keys (0-9: speed dial keys configuration on web page, *,#).</li> <li>- 5 function keys (Flash, Redial, Hands-free, Voice Mail, Hold).</li> <li>- 3 volume control keys, up/down/mute (with red color LED).</li> </ul>
<b>HD Audio</b>	One HD handset, support for wide band audio.
<b>Voice Conference</b>	2 SIP accounts and lines, up to 3-way conference.
<b>Voice Codecs</b>	Support for the G.729A/B, G.711µ/a-law, G726, G.722(wide band), G723, iLBC, full band OPUS.
<b>Voice Capabilities</b>	In-band and out-of-band DTMF (in audio, RFC2833, SIP INFO), VAD, AEC, CNG, PLC, AGC, AJB.
<b>Telephony Features</b>	Dial, Answer, Redial, Flash, Hands-free, Voice mail (with the server) Hold/Unhold, Mute/Unmute, flexible dial plan, Speed dial server redundancy, fail-over Call out.
<b>Advanced Features</b>	<p>Support for multicast paging and E911 service.</p> <p>Support for advanced jitter resilience algorithm.</p>
<b>Base Stand</b>	1 wall-mountable base stand, can be put on a desk.
<b>QoS</b>	Layer 2 QoS (802.1Q, 802.1p) and Layer 3 (ToS, DiffServ, MPLS) QoS
<b>Security</b>	Secure boot, random default, unique security certificate per device, administrator level passwords, 256-bit AES encrypted configuration file, SRTP, TLS, 802.1x media access control.

o **GHP62X**

<b>Protocols/Standards</b>	SIP: SIP RFC3261, TCP/IP/UDP, RTP/RTCP, RTCP-XR, Simple, TLS, SRTP.
<b>Network Interface</b>	One Auto-Negotiation 10/100Mbps ethernet port, integrated PoE (Only GHP62X)
<b>Wi-Fi</b>	GHP620W/GHP621W integrated dual-band 2.4Ghz & 5Ghz 802.11 a/b/g/n/ac.
<b>Keypad</b>	<p>26 keys, including:</p> <ul style="list-style-type: none"> <li>- 6 Programmable keys.</li> <li>- 12 standard phone digit keys (0-9: speed dial keys configuration on web page, *,#).</li> <li>- 5 function keys (Flash, Redial, Hands-free, Voice Mail, Hold).</li> <li>- 3 volume control keys, up/down/mute (with red color LED).</li> </ul>
<b>HD Audio</b>	One HD handset, support for wide band audio.
<b>Voice Conference</b>	2 SIP accounts and lines, up to 3-way conference.
<b>Voice Codecs</b>	Support for the G.729A/B, G.711µ/a-law, G726, G.722(wide band), G723, iLBC, full band OPUS.
<b>Voice Capabilities</b>	In-band and out-of-band DTMF (in audio, RFC2833, SIP INFO), VAD, AEC, CNG, PLC, AGC, AJB.
<b>Telephony Features</b>	Dial, Answer, Redial, Flash, Hands-free, Voice mail (with the server) Hold/Unhold, Mute/Unmute, flexible dial plan, Speed dial server redundancy, fail-over Call out.
<b>Advanced Features</b>	<p>Support for multicast paging and E911 service.</p> <p>Support for advanced jitter resilience algorithm.</p>

Base Stand	1 wall-mountable base stand, can be put on a desk.
QoS	Layer 2 QoS (802.1Q, 802.1p) and Layer 3 (ToS, DiffServ, MPLS) QoS
Security	Secure boot, random default, unique security certificate per device, administrator level passwords, 256-bit AES encrypted configuration file, SRTP, TLS, 802.1x media access control.

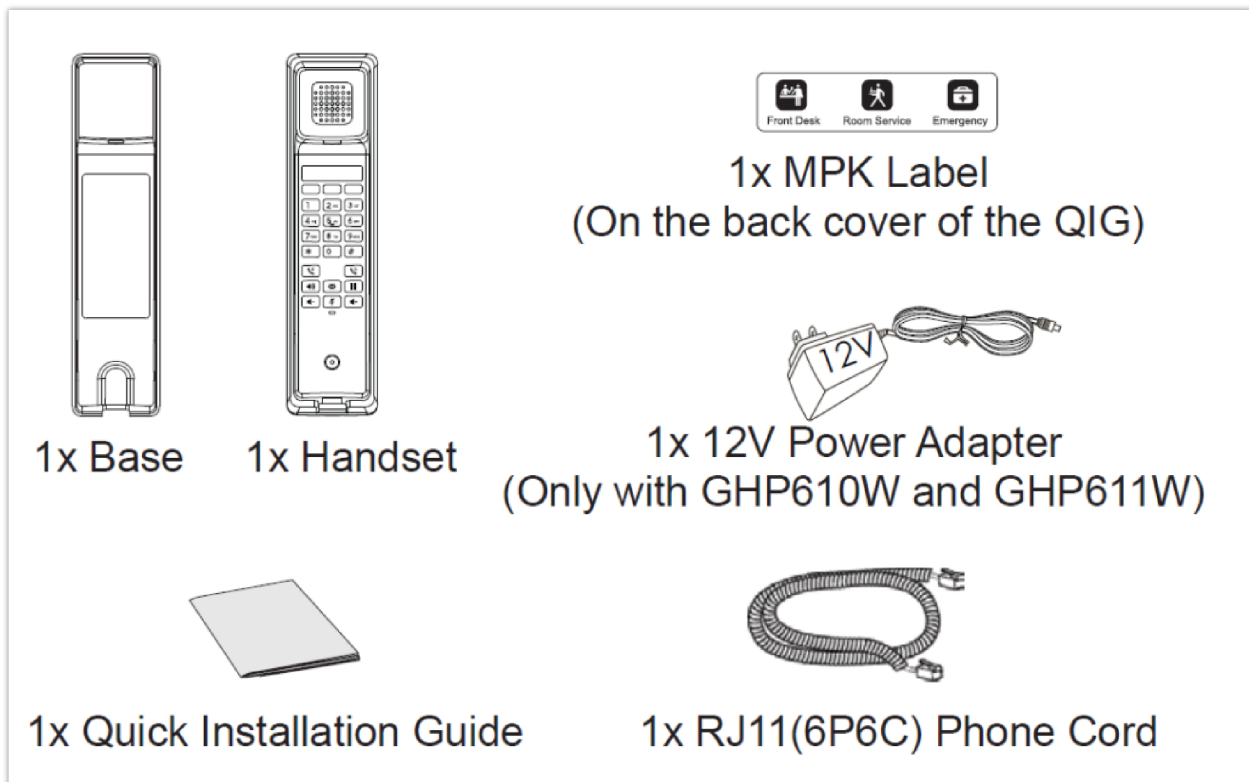
## GETTING STARTED

This chapter provides basic installation instructions including the list of the packaging contents and also information for obtaining the best performance with the GHP6XX/W.

### Equipment Packaging

#### GHP61X

GHP61X/W
<ul style="list-style-type: none"> <li>• 1x Base</li> <li>• 1x Handset</li> <li>• 1x RJ11 (6P6C) Phone Cord</li> <li>• 1x Quick Installation Guide</li> <li>• 1x 12V Power Adapter (Only with GHP610W and GHP611W)</li> <li>• 1x MPK Label (On the back cover of the QIG)</li> </ul>

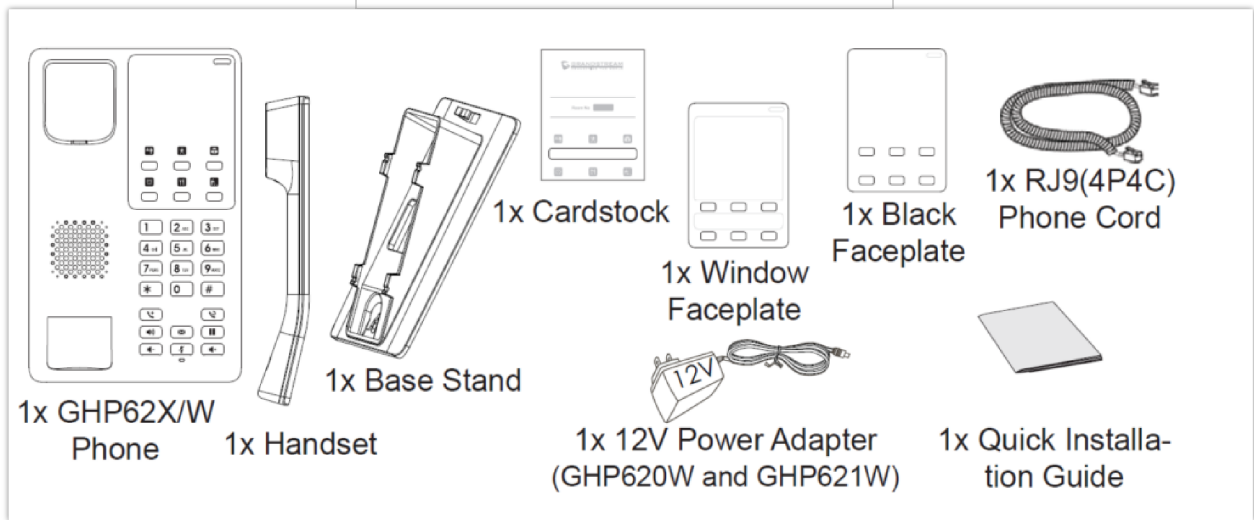


GHP61X Package Content

#### GHP62X

GHP62X/W
<ul style="list-style-type: none"> <li>• 1 x GHP62X Phone</li> </ul>

- 1 x Handset
- 1 x Base Stand
- 1 x Black Faceplate
- 1 x Windows Faceplate
- 1 x Cardstock
- 1 x 12V Power Adapter (GHP620W and GHP621W)
- 1 x RJ9(4P4C) Phone Cord
- 1 x Quick Installation Guide



GHP62X Package Content

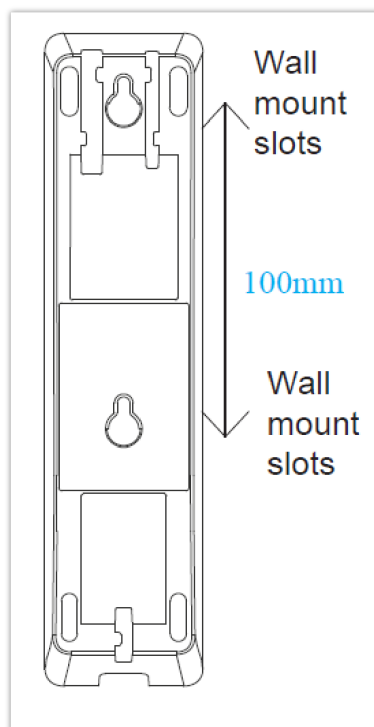
**Note**

Please check the package before installation. If you find any one of the components missing, please contact your system administrator.

**GHP6XX/W Phone Setup**

The GHP6XX/W can be installed on the desk or can be mounted on the wall. To mount the phone on the wall please follow the instructions below.

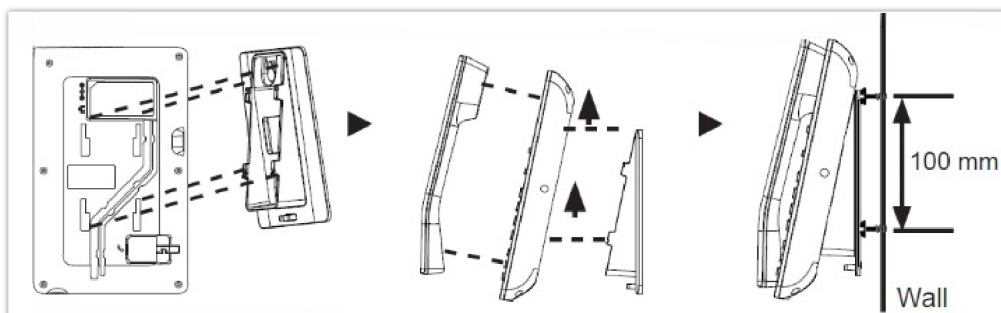
**GHP61X/W**



GHP61X Wall Mount

- Mark two dots horizontally with a 100 mm distance in between where to wall mount the GHP610/W & GHP611/W.
- Using a drill, make a hole on each marked dot. Put a plastic expansion bolt and screw (not provided) on each hole. Leave enough space to mount the GHP610/W & GHP611/W.
- Mount the GHP610/W & GHP611/W on the screws using the Wall Mount Slots.

## GHP62X/W



GHP62X Wall Mount

1. On the wall where the GHP62X/W will be mounted, mark two dots with 100 mm distance in-between vertically.
2. Using a drill, make a hole on each marked dot. Put a plastic expansion bolt and screw (not provided) into each hole. Leave enough space on the screws to mount the GHP62X.
3. Attach the wall mount spacers to the slot for the wall mount spacer on the back of the phones.
4. Mount the GHP62X on the screws using its "Wall Mount Slots".

## Connecting the GHP6XX/W

To set up the phone, follow the steps below:

1. Connect the phone cord with the handset (RJ-11 port) and the base.
2. Connect the LAN port of the phone to the RJ-45 socket of a hub/switch on a router (LAN side of the router) using the Ethernet cable. This step can be skipped if using GHP6xxW with Wi-Fi.
3. Powering the phone:
  - For GHP6XX/W: Connect the 12V DC output plug into the power jack if the phone; plug the power adapter into the electrical outlet.
  - For GHP6XX & GHP6XX: A PoE switch must be used in step 2.

### Note

For easy deployment, the GHP6xxW is out-of-the-box pre-configured to connect to default SSID named **wp\_master** with a password (WPA/WPA2 PSK) equal to **wp!987@admin**, users can adapt these settings from the web UI as well to make it easier for deployment on a customer's site.

## Phone Configuration Via Web Browser

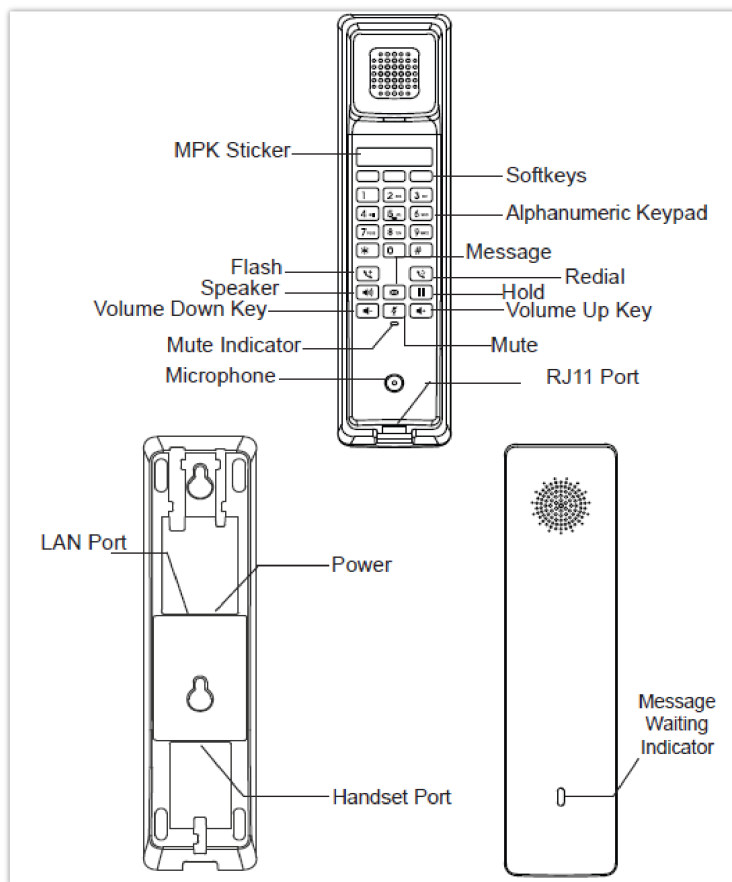
1. Ensure your phone is powered up and connected to the internet.
2. Locate the MAC address on the MAC tag of the unit which is on the underside of the device, or on the package.
3. From a computer connected to the same network as the GHP6XX, type in the following address using GHP6XX's MAC address on your browser: **https://<mac>.local**  
**Example:** https://c074adffffff.local  
**Note:** The user can dial **\*\*47#** and the IP address will be read by the IVR.
4. Enter the admin's username and password to access the configuration menu. (The factory default username is "admin" while the default random password can be found on the sticker at the back of the unit).

### Note:

To enable users to listen to the IP address via IVR by dialing **\*\*47#**, the "Key As Send" parameter under **Account→Call Settings** must be set to the Pound (#) key. If this setting is not configured, users will need to dial **\*\*47** and wait for the timeout to get the IP address.

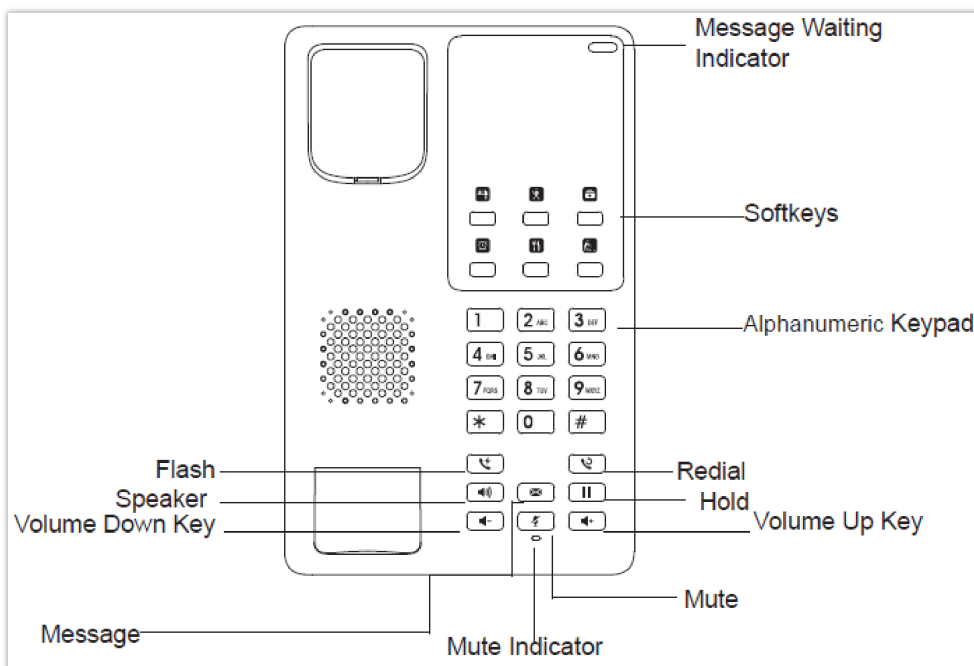
## Getting To Know The GHP6XX/W

### GHP61X/W

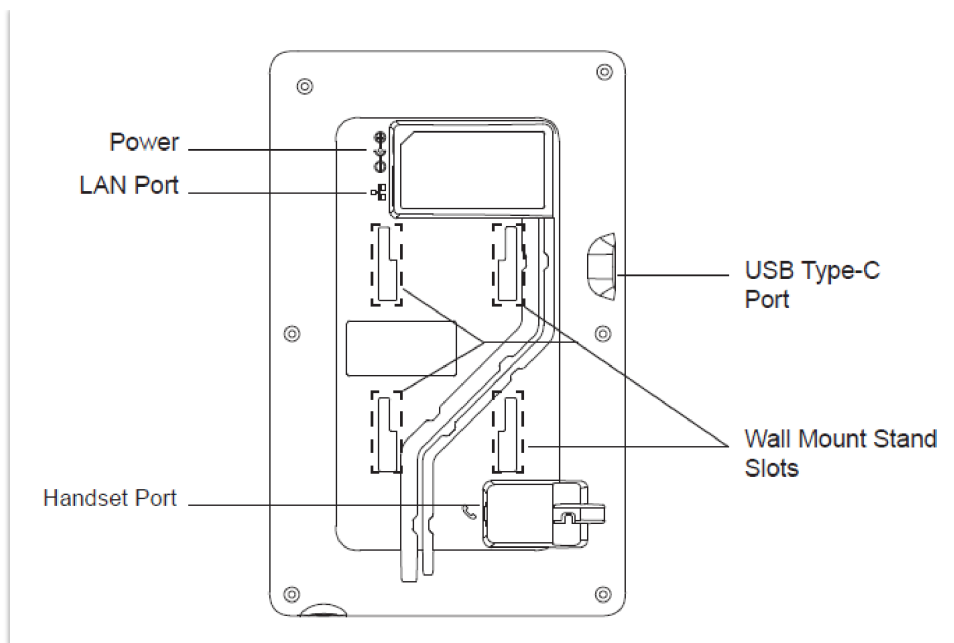


GHP61X Front&Back Panel of the Handset and the Base

### GHP62X/W



GHP62X Front Panel




GHP62X Back Panel

## TELEPHONY FEATURES

### Making Phone Calls

#### Handset and Speaker Mode

- The GHP6XX allows switching between the handset and the speaker when making calls. Please press the speaker button to start using the speaker . If you wish to switch to the handset after activating the speaker, just unhook the handset and the audio will be emitted through the handset's speaker.
- Dial the number that you wish to call and press # to send the call, or wait for a second for the number to be sent.

#### SIP Accounts and Lines

The GHP6XX supports 2 SIP accounts and 2 lines; Each account is capable of independent SIP servers, and users. One account is configured by the administrator to initiate calls and receive calls. While the other account is configured to receive calls. The default account can be switched only by the administrator.

#### Completing Calls

There are several ways to complete a call.

- **On-hook** dialing. Enter the number when the phone is on-hook and then send it out.
  1. When the phone is idle, enter the number to be dialed out;
  2. Take the handset off-hook, Press the Speaker button, or Press the Headset button on the headset plugged in.
  3. The call will be dialed out.
- **Off-hook and dial.** Off-hook the phone, enter the number and send it out.
  1. Take handset off-hook; or
    - Press the Speaker button
    - You shall hear the dial tone after off-hook
  2. Enter the number;
  3. Press the # key to dial out.



- **Redial.** Redial the last dialed number.
1. Take handset off-hook
    - Press the Speaker button, or
    - Press the Headset button with the headset plugged in, or
    - Press an available LINE key to activate the speaker, or
    - When the phone is in an idle state
  2. In Order to redial a number you can either :
    - press the redial key, this will compose the last entered number
    - Press the # key, this will trigger a DTMF call to the last composed number
- **Multi-Purpose Keys:** Multi-purpose keys can be configured to quickly dial a certain extension. When the MPK has been pressed the number will be quickly dialed and the call sent out.

## Direct IP Calling

Direct IP Call allows two phones to contact each other without a SIP proxy. VoIP calls can be made between two phones if:

- Both phones have public IP addresses; or
- Both phones are on the same LAN/VPN using private or public IP addresses; or
- Both phones can be connected through a router using public or private IP addresses (with necessary port forwarding or DMZ).

To make a direct IP call, please follow the steps below:

1. Take the handset off-hook, press the Speaker button or press the Headset button on the headset plugged in.
2. Input the target IP address (Please see the example below).
3. Press the **Send** key or wait for timeout.

### Example:

If the target IP address is 192.168.1.60 and the port is 5062 (i.e., 192.168.1.60:5062), input the following: 192\*168\*1\*60#5062. The \* key represents the dot (.), and the # key represents the colon (:).


When only dialing the IP address (example: 192\*168\*1\*60) the call will automatically go through the default port 5060.

### Notes:

- Users need to Enable Direct IP Call under **Phone Settings→Call Settings→Outgoing**, before attempting to make calls using IP addresses.
- When using direct IP calls, the **"Use Random Port"** option in **Phone Settings→Basic Settings** should be set to "No".

## Answering Phone Calls

### Receiving Calls



The phone rings with the selected ringtone. Unhook the handset or press the speaker button  to answer the call.

### Note


Please note that due to the nature of environment that this phone is deployed on, it's not possible to reject a call.

## During a Phone Call

### Call Waiting/Hold Call

- User can use the hold button  to put the call on hold.
- When receiving a call on the second line, the user can use the Flash key  to hold the call on the first line and switch to the call on the second line. If the user wants to unhold the first call, the user may press the Flash key again to recover the call.

### Mute

During an active call, press the MUTE button  to mute/unmute the microphone. The LED will light up in red to indicate that your microphone is muted.


### Call Transfer

- Attended Transfer
  1. Alice is talking with Bob.
  2. Alice presses Flash to initiate a new call to Carl, and Bob is held automatically.
  3. Carl answers the call, and Alice talks with Carl about Bob, then Alice hangs up the call, and Bob will be transferred to Carl.
  4. If Carl rejects or does not answer the call, Alice could press Flash to retrieve the call with Bob.
  5. If the call is still ringing, Alice could cancel the new call by pressing "FLASH", and retrieve the call with Bob automatically.
- Attended Transfer Before Answer
  1. Alice is talking with Bob.
  2. Alice presses Flash to initiate a new call to Carl, and Bob is held automatically.
  3. Carl answers the call, and Alice talks with Carl, then Alice hangs up the call, and Bob will be transferred to Carl.
  4. If Carl rejects or does not answer the call, Alice could press Flash to retrieve the call with Bob.
  5. If the call is still ringing, Alice could cancel the new call by pressing "FLASH", and retrieve the call with Bob automatically. If Alice hangs up the call while the call to Carl is still ringing, the call will be transferred to Carl before Carl answers. This explains why it is an attended transfer "before answer".

#### Note

For these Transfer processes to work, the "Enable Recovery on Blind Transfer" feature needs to be disabled in the web UI under Account => Call Settings => Transfer.

### Three-way Conference

- If there is one line in use, press the Flash button  to start a new call, and long-press Flash to set up a conference after the new call is answered:
  1. Alice is talking with Bob
  2. Alice starts a new call with Carl by pressing Flash, and Bob is held
  3. There are three situations:
    - If Carl does not answer the call, Alice could press Flash to retrieve Bob.
    - Alice also could press Flash to cancel the call, and back to the call with Bob.
    - Once Carl answer the call, Alice could long-press Flash to set up the conference
  4. If Alice wants to end to call with Carl on the conference, she could press Flash.

5. If Alice wants to end the conference and keep calls, she could long press Flash, then Bob will be held, and Alice will back to the call with Carl.
  6. If Bob or Carl hangs up his call, Alice will back to the call with whoever stayed on the line.
  7. Once Alice hangs up the phone, all calls and the conference are ended.
- If there are two lines in-use, to set up a conference:
    1. If Alice holds Bob and is talking with Carl
      - Alice could press Flash to switch lines, and also could long press Flash to set up a conference.
    2. If Alice holds Bob and Carl's calls
      - Alice could press Flash to switch the line, and also could long press Flash to set up a conference. Bob and Carl will be unheld automatically

## Voicemail

The Waiting Message Indicator will blink in a green color when there is a new voicemail. To listen to the voicemail, please press the Voicemail button on the phone.

## IVR Button Function

GHP6XX supports keypad codes to perform a number of actions like retrieving information or configuring the phone. An IVR will respond to the codes dialed accordingly. Please refer to the table below to see all the possible functions that can be performed.

Function	Operation	Phone Feedback
Get IP address (IP)	1. **47#(When IPv4 and IPv6 coexist, broadcasts IPv4 by default) 2. **474# broadcasts IPv4 3. **476# broadcasts IPv6	The phone broadcasts the current IP address
Modify IP address (IP)	**47*{IP}#	Phone changes IP
Get Subnet Mask (SM)	**76#	Phone broadcasts subnet mask
Modify Subnet Mask (SM)	**76*{SubnetMask}#	Phone modifies subnet mask
Get Gateway (GW)	**49#	Phone broadcast gateway
Modify Gateway (GW)	**49*{Gateway}#	Phone modify gateway
Get DNS Servers (DNS)	**367#	Phone broadcast DNS server address
Modify DNS Server (DNS)	**367*{DNS}#	Phone modify DNS server address
Get Firmware (FW)	**39#	The phone announces the current firmware version
View the hardware part number (HN)	**46#	Phone broadcast hardware PN
Get MAC (MA)	**62#	Phone broadcast MAC address
Get Account Directory Number (DN)	**36#	The phone announces the account number

<b>Reboot (RB)</b>	**72#	The phone performs a restart
<b>Factory Reset (FR)</b>	**37*{keypad password}#(Password is required for this operation)	The phone performs factory recovery
<b>VLAN ID (VI)</b>	**84*{keypad password}*{VLAN ID}# (Password is required for this operation)	Configure VLAN ID: 0-4094, 0 means off
<b>Firmware Upgrade (FU)</b>	**38*{keypad password}# (Password is required for this operation)	Trigger a firmware upgrade
<b>Firmware Upgrade 2 (FU)</b>	**38*{keypad password}*{server IP address}# (Password is required for this operation)	Trigger the upgrade of the specified upgrade firmware path
<b>Get Firmware Upgrade Server Address (FA)</b>	**32#	Broadcast firmware server URL addr
<b>Configuration File Download 1 (CU)</b>	**28*{keypad password}#(Password is required for this operation)	The phone downloads the configuration
<b>Configuration File Download 2 (CU)</b>	**28*{keypad password}**{prefix}# (Password is required for this operation)	The phone downloads the configuration
<b>Configuration File Download 3 (CU)</b>	**28*{keypad password}**{prefix}* {postfix}# (Password is required for this operation)	The phone downloads the configuration
<b>Configuration File Download 4 (CU)</b>	**28*{keypad password}*{server IP address}#(Password is required for this operation)	The phone downloads configuration from the specified server
<b>Configuration File Download 5 (CU)</b>	**28*{keypad password}*{server IP address}*{prefix}# (Password is required for this operation)	The phone downloads configuration from the specified server
<b>Configuration File Download 6 (CU)</b>	**28*{keypad password}*{server IP address}*{prefix}*{postfix}# (Password is required for this operation)	The phone downloads configuration from the specified server
<b>View Profile Server Address (CA)</b>	**22#	URL address of phone broadcast configuration file server
<b>Get TR069 Status (TR)</b>	**87#	Phone broadcast TR069 is available
<b>Reset Network (NR)</b>	**67*{keypad password}#	The phone resets the network configuration
<b>Set Profile Download Protocol Type</b>	**28x#	Set and broadcast the current protocol name The values of X can be: 1, 2, 3, 4, 5 TFTP [1]; HTTP [2]; HTTPS [3]; FTP [4]; FTPS [5]
<b>Set the firmware upgrade protocol type</b>	**38x#	Set and broadcast the current protocol name The values of X can be: 1, 2, 3, 4, 5 TFTP [1]; HTTP [2]; HTTPS [3]; FTP [4]; FTPS [5]

<b>Get HAC On Status (HAC)</b>	**422#	Broadcast number: 0 (off), 1 (on)
<b>Set HAC on or off (HAC)</b>	**422*x#	Set HAC on or off: 0 (off), 1 (on)
<b>Set Room number</b>	**766*{room number}	Set Room number to be added under : Hotel Service =>Hotel Room Number
<b>Get Room number</b>	**766#	Return the room number that has been defined
<b>Reset Room number</b>	**766*{keypad password}+ {room number}#	Reset the hotel room number if number is already in use , the default keypad password is 123
<b>Enable the UCM zero-configuration number selection process</b>	**82#	UCM delivers the configuration and sets the room number as the preferred account to complete the selection process.

#### Notes

- o The phone supports input timeout (about 3s). Entering only \*\*47 and waiting for 3s has the same function as entering \*\*47#.
- o The default password of the keypad is: 123

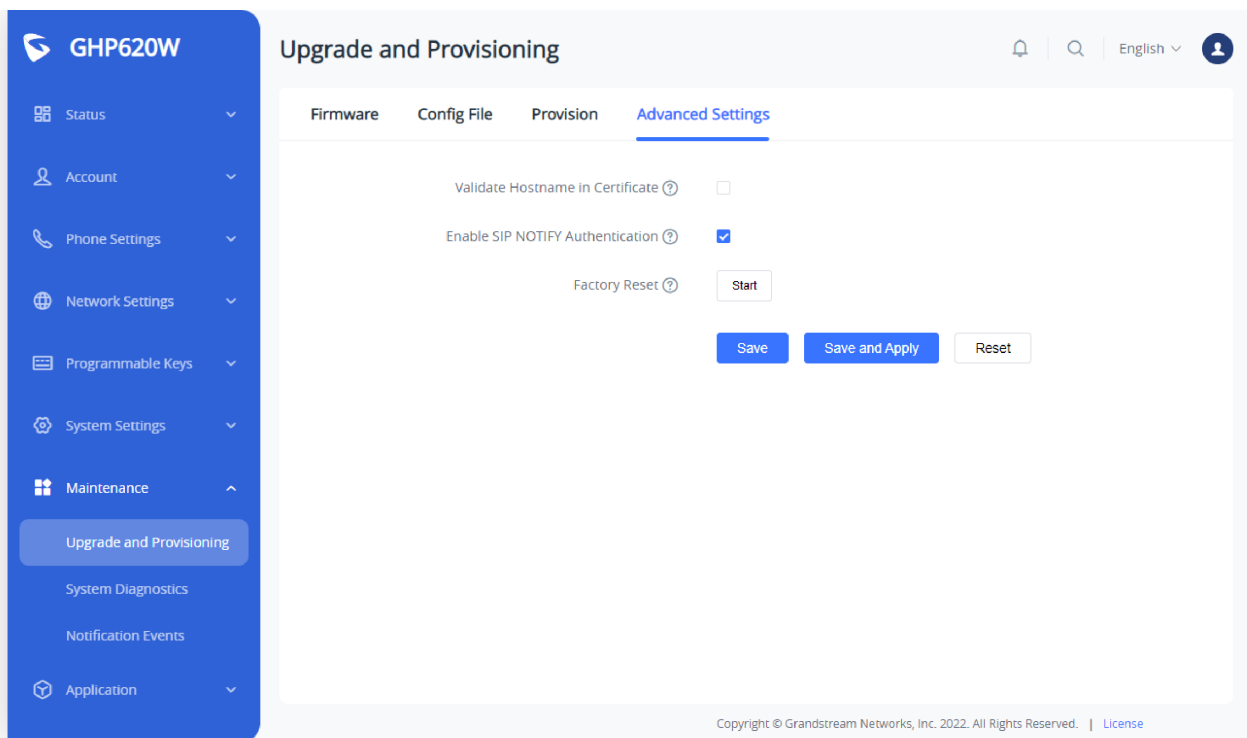
## RESTORE FACTORY DEFAULT SETTINGS

### Restore to Factory Default via Keypad

To restore the GHP6XX phone using the keypad, enter the code **\*\*37\*{keypad password}#**. The default keypad password is: **123**

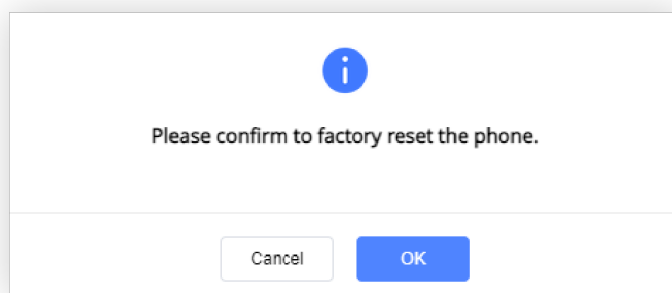
### Restore to Factory Default via Web GUI

To reset the GHP6XX to its factory settings using the web GUI, please navigate to **Upgrade and Provisioning** → **Advanced Settings** then click on the **Start** button to start the factory reset process.



*Factory Reset via Web GUI*

The factory reset will immediately start after you click **OK**.



*Factory Reset Confirmation*

**Warning:**

Once the process of resetting to factory settings has started, it cannot be canceled and all the configuration will be lost. To avoid losing your configuration, please back it up first.

## CHANGELOG

### Firmware 1.0.1.78

- No major changes

### Firmware 1.0.1.75

- No major changes

### Firmware 1.0.1.71

- No major changes

### Firmware 1.0.1.70

- No major changes

### Firmware 1.0.1.67

- No major changes

**Firmware 1.0.1.64**

- No major changes

**Firmware 1.0.1.62**

- No major changes

**Firmware 1.0.1.61**

- No major changes

**Firmware 1.0.1.60**

- No major changes

**Firmware 1.0.1.54**

- No Major changes.

**Firmware 1.0.1.49**

- No Major changes.

**Firmware 1.0.1.37**

- No Major changes.

**Firmware 1.0.1.33**

- No Major changes.

**Firmware 1.0.1.29**

- This is the initial release.

---

**COPYRIGHT**

©2023 Grandstream Networks, Inc. <https://www.grandstream.com>

All rights reserved. Information in this document is subject to change without notice. Reproduction or transmittal of the entire or any part, in any form or by any means, electronic or print, for any purpose without the express written permission of Grandstream Networks, Inc. is not permitted.

Grandstream is a registered trademark and the Grandstream logo is the trademark of Grandstream Networks, Inc. in the United States, Europe, and other countries.

---

**CAUTION**

Changes or modifications to this product not expressly approved by Grandstream, or operation of this product in any way other than as detailed by this guide could void your manufacturer warranty.

**WARNING**

Please do not use a different power adaptor with devices as it may cause damage to the products and void the manufacturer's warranty.

---

## CERTIFICATION

If any trouble is experienced with this equipment, please contact (Agent in the US):

**Company Name:** Grandstream Networks, Inc.

**Address:** 126 Brookline Ave, 3rd Floor Boston, MA 02215, USA

**Tel:** 1-617-5669300

**Fax:** 1-617-2491987

If the trouble is causing harm to the telephone network, the telephone company may request you remove the equipment from the network until the problem is resolved.

This equipment uses the following USOC jacks: RJ45C.

It is recommended that the customer install an AC surge arrester in the AC outlet to which this device is connected. This is to avoid damaging the equipment caused by local lightning strikes and other electrical surges.

Since this device has the HAC function, the earpiece is easy to absorb small, please take care to avoid scratching.

### Caution: Exposure to Radio Frequency Radiation

This equipment complies with EU radiation exposure limits set forth for an uncontrolled environment. This equipment should be installed and operated with a minimum distance of 20 cm between the radiator and your body.

### CE Authentication



BE	BG	CZ	DK	DE	EE	IE	EL	LI
ES	FR	HR	IT	CY	LV	LT	LU	CH
HU	MT	NL	AT	PL	PT	RO	SI	TR
SK	FI	SE	NO	IS	UK	UK(NI)		

In the UK and EU member states, operation of 5150-5350 MHz is restricted to indoor use only.



Hereby, Grandstream Networks, Inc. declares that the radio equipment GHP6XX/W are in compliance with Directive 2014/53/EU.

The full text of the EU declaration of conformity is available at the following internet address:

<https://www.grandstream.com/support/resources/>

---

## GNU GPL INFORMATION

GHP6XX firmware contains third-party software licensed under the GNU General Public License (GPL). Grandstream uses software under the specific terms of the GPL. Please see the GNU General Public License (GPL) for the exact terms and conditions of the license.

Grandstream GNU GPL-related source code can be downloaded from the Grandstream website:

<https://www.grandstream.com/legal/open-source-software>

---