

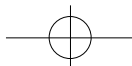
# NX KEYSET

## USER'S GUIDE

(For EUROPE)



- NX-24E / 24B
- NX-6B
- NX-AOM



## Making an Outside Call

### ⇒ To Select A Specific Outside Line

1. Check the line status indicator light, and press an idle outside line button.

▪ You will receive dial tone through the speaker.

Or,

lift the handset and dial the outside line access number.

2. Dial the outside telephone number.

### ⇒ To Select Any Free Outside Line From An Outgoing Group

1. Lift the handset, and listen for a dial tone.
2. Dial the outgoing group number.

▪ A free line in the group will be selected and you will hear a dial tone.

▪ If all lines in the group are busy,

▪ **9 ALL BUSY** is displayed, and you will receive a busy signal.

3. Dial the outside telephone number.

**NOTE** ▪ When making an outside call on a dial pulse line, all digits entered after pressing [#] will be sent as tones.

▪ When dialing an outside call, press [PSE] button to insert a three second pause. [PSE] button is set by system programming.

## Answering an outside Call

1. Lift the handset.  
Or,  
press [**SPEAKER**] to converse using the speakerphone.

- NOTE** <sup>3</sup> To answer a call while you are on the phone, press the ringing line button. The current line is automatically held, and you can talk with the new caller.
- <sup>3</sup> You may answer calls ringing at another station by pressing the fast blinking outside line button. Or, lift the handset and press [**1**][**0**] and the outside line number. You will be connected to the outside line.

OUTSIDE CALLS

## Calling Other Stations

1. Lift the handset, and dial the desired station number.  
Or, press the desired station's **[DSS]** button, with the handset on-hook.
  - The speakerphone activates automatically and your phone starts dialing.
  - To program a station number into the **[DSS]** button, refer to the **Technical Manual**.
2. When the other party answers, either speak into the handset or talk using speakerphone.
3. To end the call, replace the handset or press **[SPEAKER]**, if using the speakerphone.

**NOTE** To answer a ringing line, or place a call to another intercom station, while talking with one intercom station, press the **[DSS]** button for the second station without hanging up. The original station line is automatically disconnected and the second station will ring. This feature is not available on standard phones.

## Calling the Operator Group

Lift the handset or press **[SPEAKER]**.  
Dial **[0]** to call your system operator group.

**NOTE** You can call the operator group by dialing the Operator group number. The Operator group is the station group numbered **500**.



## Station Group Calls

Lift the handset or press **[SPEAKER]**, and dial the station group number.

Or, press the **[SGR]** button of the desired station group.

## Answer Mode Change

You can set your phone to Auto-Answer or Voice-Announce mode.

### ⇒ To Set Auto-Answer Mode

1. With the handset on-hook, press **[AUTO RDL]** and dial **[1][0]** to enter program mode.
2. Press **[2]** to set Auto-Answer Mode.
3. Press **[AUTO RDL]** to save and exit.

### ⇒ To Set Voice-Announce Mode

1. With the handset on-hook, press **[AUTO RDL]** and dial **[1][0]** to enter program mode.
2. Press **[3]** to set Voice-Announce Mode.
3. Press **[AUTO RDL]** to save and exit.

**3NOTE** Auto-Answer mode can be changed by a caller by pressing **[TRANSFER]** and dialing **[1][4]**.  
Or, pressing the **[FAT]** button.  
On a single-line telephone, hook flash and dial **[1][4]**.



## System Hold

When connected to an outside line, use this feature to allow you to hang up the line temporarily without disconnecting. While on hold, the held party will hear music. Another station may retrieve the outside line on hold.

1. When connected to an outside line press **[HOLD]**.

¶The outside line is placed on hold, and the HOLD indicator blinks slowly.

2. After placing a call on hold, you can make or answer another call.
3. To retrieve the held outside line, press the blinking line button.

### NOTE

If the held line is not released within a predetermined time, the system rings you back so that you do not forget about the call. If you do not answer the call, it is automatically recalled to the operator group. (Operator group is the station group numbered 500)

## Exclusive Hold

To place a call on hold at your phone and not allow other user to take it, use Exclusive hold.

### ⇒ To Place an Outside Call on Exclusive Hold

1. When connected to an outside line, press **[HOLD]** twice.

▪The outside line placed on hold will flash green at your keyset, and show a steady red light on all other keysets.

2. After placing a call on hold, you can answer or make another call.
3. To retrieve the held outside line, press the blinking line button.

**NOTE** ▪You must press **[HOLD]** the second time within 2 seconds after pressing the first **[HOLD]** in Step 1.  
▪If a held line is not released within a predetermined time, the system rings you back, so that you do not forget about the call. If you do not answer the call, it is automatically recalled to the operator group. (Operator group is station group numbered **500**)

#### **To Place an Intercom Call on Exclusive hold**

1. When connected to any station, press **[HOLD]** once.  
▪The station's **[DSS]** button will blink at your keyset, and show a steady red light on other keysets.
2. After placing a call on hold, you can answer or make another call.
3. To retrieve the held call, press the blinking **[DSS]** button.

**NOTE** Intercom calls will always be placed on exclusive hold.

## Transferring Calls

This feature allows you to transfer a call to another station or group. Any outside or intercom call may be transferred, regardless of whether you initiated or received the call.

When you transfer a call, you may wait on the line and announce the call, or you may hang up when you hear the ringback tone.

The connection between the caller and the person to whom the call is being transferred is completed when you hang up.

### *Keyphone*

1. With an outside call in progress, press the **[DSS]** button for the other station to which you want to transfer the call.

¡ You hear a transfer tone and the other party hears music.

Or, with an intercom or outside call in progress, press **[TRANSFER]**, and dial the station or group number.

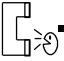




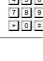

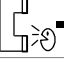
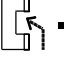

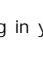

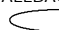
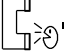
¡ If you want to transfer the call to the operator group, dial **[0]**.

2. Replace the handset.

Or, wait on the line and announce the call, then replace the handset.


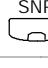

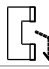

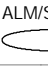

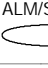

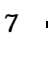


¡ If the transferred station is busy, press **[TRANSFER]** again. You will be reconnected to the original call.





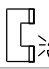

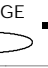
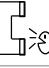
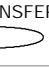

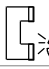
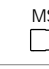


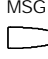
Item	Sequence <b>Press the indicated buttons</b>
SETTING UP A CONFERENCE	 → CONF →  Station No./  Outside Line No. → i ũ To add yourself CONF  i ũ To release a party from a conference CONF  →  Station No./  Outside Line No.
UNSUPERVISED CONFERENCE	 → CONF → Your Station No.
CALL PICK-UP	 → 10 →  Station No./  Outside Line No. i ũ To pickup a call ringing in your pickup group  → *
CALL BACK	Busy tone → CALLBACK 
SENDING A FLASH	 → TRANSFER → 49

DIALING FEATURES

## DIALING FEATURES


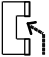




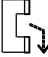


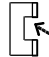



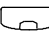

Item	Sequence	Press the indicated buttons
LAST NUMBER REDIAL	 → RDL	or 19
SAVED NUMBER REDIAL	→  SNR	or 17
AUTOMATIC REDIAL	 When you receive a busy signal	AUTO RDL → 
SPEED-DIALING (SYSTEM)	 → ALM/SD → 	SPEED DIAL CODE: 20-99
SPEED-DIALING (PERSONAL)	 → ALM/SD → 	SPEED DIAL CODE: 00-19
PERSONAL SPEED-DIAL NUMBERS	AUTO RDL →  17 → 	SPEED DIAL CODE(00-19) →  Tel. No. →  AUTO RDL

## PAGING & MESSAGING

Item	Sequence	Press the indicated buttons
PAGING	 → PAGE → 	PAGE ZONE NUMBER 0-5, * → 
MEET ME PAGE	 → PAGE →  *	→  → TRANSFER →  56
MEET ME ANSWER	 → 56 → 	
LEAVING A MESSAGE	 MSG → 	
RETURNING A MESSAGE	 →  MSG	




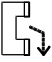





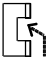

## CONVENIENCE FEATURES

## CONVENIENCE FEATURES

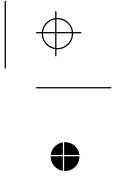
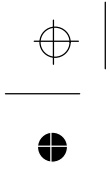
Item	Sequence Press the indicated buttons															
MUTE	MUTE/DND 															
DO NOT DISTURB	<p>iü To set DND  → 64 → 1</p> <p>iü To release DND  → 64 → 0</p>															
GROUP LISTENING	 → LSN → 															
ALARM SETTING	 → 58 → <table border="1" data-bbox="861 996 917 1041"><tr><td>□□□□</td></tr><tr><td>Time</td></tr><tr><td>□□□□</td></tr><tr><td>(HHMM)</td></tr><tr><td>□□□□</td></tr></table> → 	□□□□	Time	□□□□	(HHMM)	□□□□										
□□□□																
Time																
□□□□																
(HHMM)																
□□□□																
CALL FORWARDING	<p>iü ALL CALL FORWARD  → 61 → 1 or 0 → <table border="1" data-bbox="997 1086 1053 1153"><tr><td>□□□□</td></tr><tr><td>Station</td></tr><tr><td>□□□□</td></tr><tr><td>No.</td></tr><tr><td>□□□□</td></tr></table> → </p> <p>iü CALL FORWARD BUSY  → 62 → 1 or 0 → <table border="1" data-bbox="997 1198 1053 1265"><tr><td>□□□□</td></tr><tr><td>Station</td></tr><tr><td>□□□□</td></tr><tr><td>No.</td></tr><tr><td>□□□□</td></tr></table> → </p> <p>iü CALL FORWARD NO ANSWER  → 63 → 1 or 0 → <table border="1" data-bbox="997 1310 1053 1377"><tr><td>□□□□</td></tr><tr><td>Station</td></tr><tr><td>□□□□</td></tr><tr><td>No.</td></tr><tr><td>□□□□</td></tr></table> → </p> <p>iü EXTERNAL CALL FORWARD FWE </p>	□□□□	Station	□□□□	No.	□□□□	□□□□	Station	□□□□	No.	□□□□	□□□□	Station	□□□□	No.	□□□□
□□□□																
Station																
□□□□																
No.																
□□□□																
□□□□																
Station																
□□□□																
No.																
□□□□																
□□□□																
Station																
□□□□																
No.																
□□□□																
BACKGROUND MUSIC	HOLD 															

# CONVENIENCE FEATURES

## CONVENIENCE FEATURES

<p>VACANT MESSAGE</p>	<p>  → 48 → MESSAGE No. 01-20 →   <i>i</i> To cancel VACANT MESSAGE   → 48 → 00 →  </p>
<p>STATION LOCKING</p>	<p> <i>i</i> To set LOCKED1            AUTO RDL → 00 →  Station Passcode Default:1234 → 1 → AUTO RDL  <i>i</i> To set LOCKED2            AUTO RDL → 00 →  Station Passcode Default:1234 → 2 → AUTO RDL  <i>i</i> To unlock the station            AUTO RDL → 00 →  Station Passcode Default:1234 → 0 → AUTO RDL         </p>
<p>GROUP IN/OUT</p>	<p> <i>i</i> To be out of the group   → 53 → 0 →   <i>i</i> To be in the group   → 53 → 1 →  </p>

■ For more detailed information, Refer to Operating Guide and Technical Manual. ■



**SAMSUNG**

